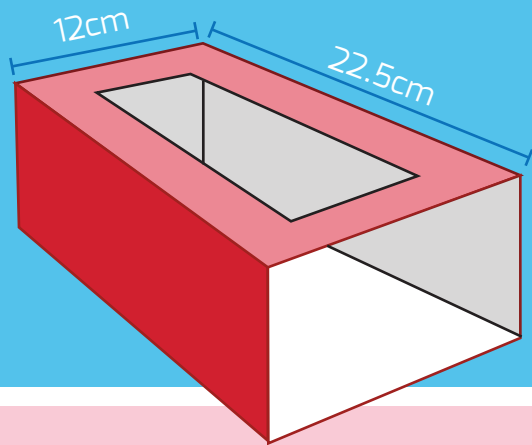


PART 1 - PREPPING THE BOX

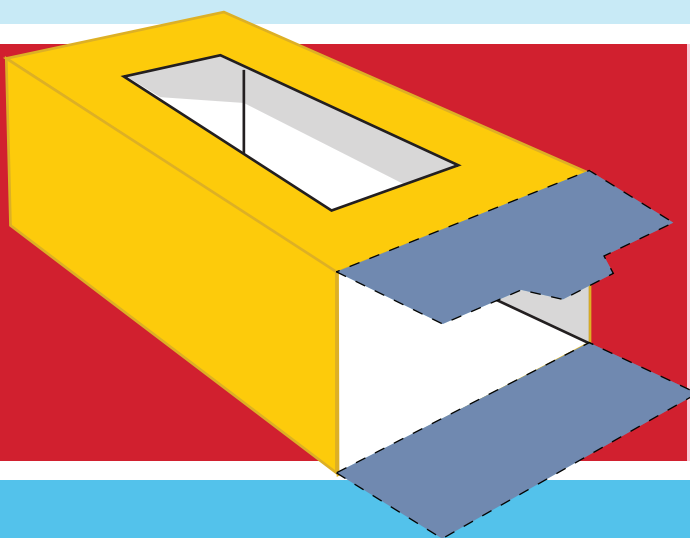
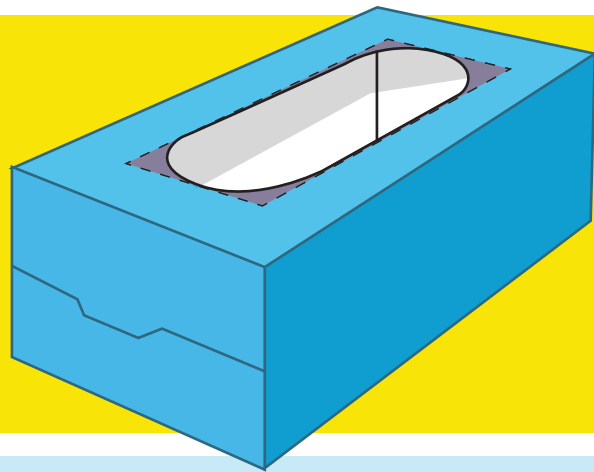


You'll need:

- Empty Tissue Box
- Scissors

Remove all plastic and tissue residue from the box.

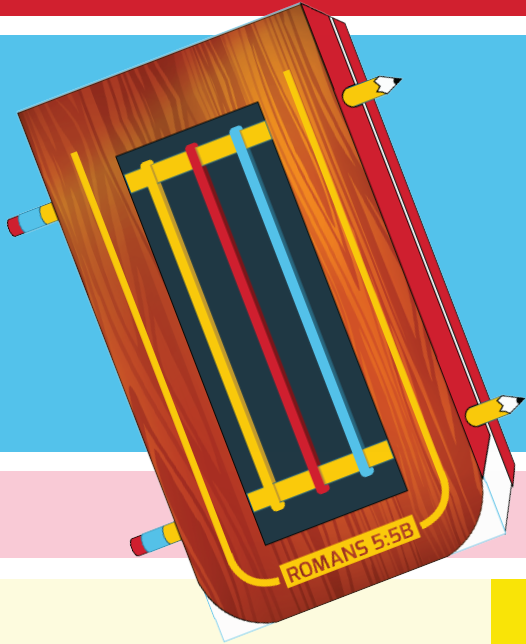
If your tissue box possesses a rounded opening, use your scissors to square the corners.



Unfold and Cut

one of the smaller sides to the box. This allows sound to travel out of the top and will help your Kinnor sing louder.

PART 2 - DAVID'S KINNOR



You'll need:

- Prepared tissue box
- David's Kinnor Pattern
- Tape
- Pencil
- 3 Rubber Bands

Cut out the pattern pieces and glue it to the front and the back.

Poke two pencils through the indications on the side. See examples.



Slide the top pencil out slightly and place the three rubberbands over the pencil. Then repeat with the bottom pencil so the rubberbands fit over both of the pencils.