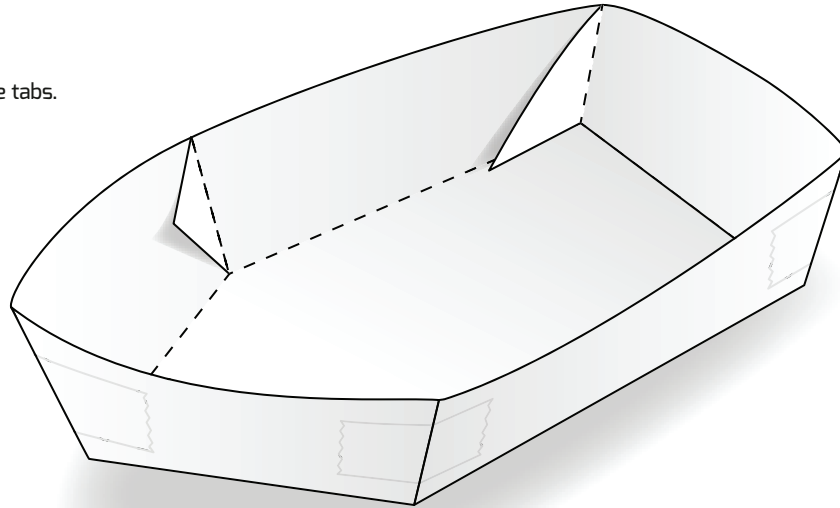


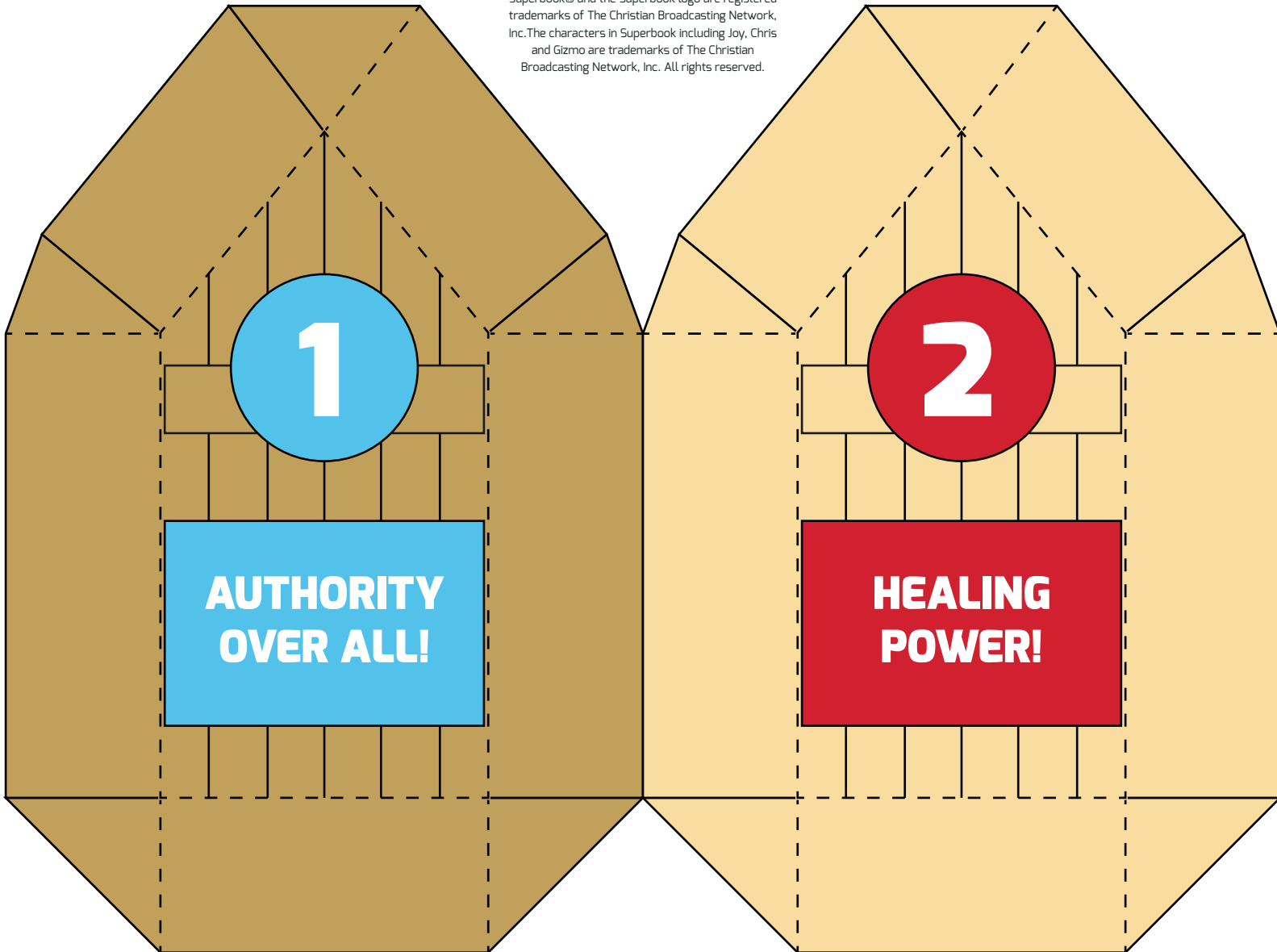
Cut on solid lines.
Fold on dotted lines.
Use glue or tape to secure tabs.

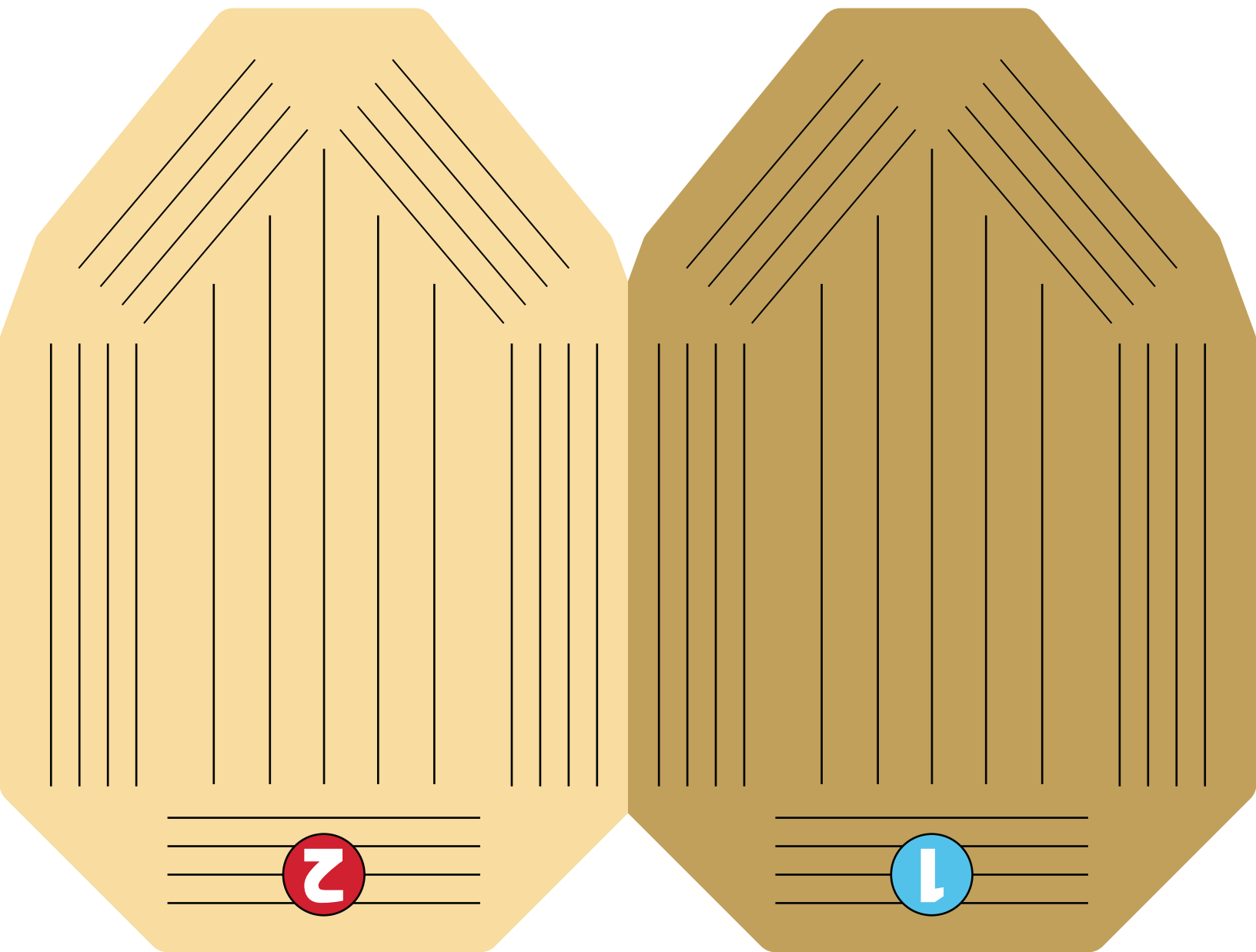


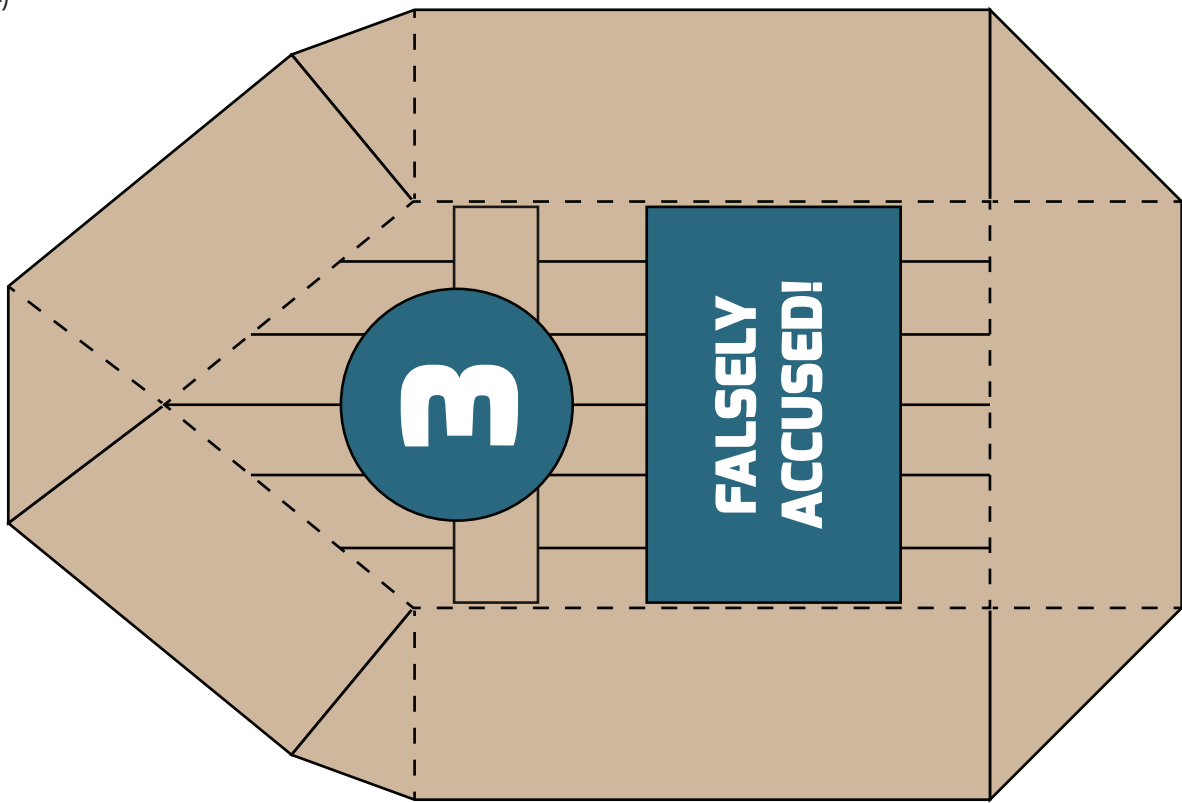
Paul and the Shipwreck

Lesson 3 of 3 Superbook Academy

©2017 The Christian Broadcasting Network, Inc. Superbook® and the Superbook logo are registered trademarks of The Christian Broadcasting Network, Inc. The characters in Superbook including Joy, Chris and Gizmo are trademarks of The Christian Broadcasting Network, Inc. All rights reserved.







Paul and the Shipwreck

Lesson 3 of 3 Superbook Academy

©2017 The Christian Broadcasting Network, Inc. Superbook® and the Superbook logo are registered trademarks of The Christian Broadcasting Network, Inc. The characters in Superbook including Joy, Chris and Gizmo are trademarks of The Christian Broadcasting Network, Inc. All rights reserved.

